

# EX - PLUGS AND RECEPTACLES

10 A to 125 A  
Plastic version for Zone 1 and Zone 21

## A good connection

Providing electrical energy there, where it is most needed – even in hazardous areas for the Zones 1, 2, 21 and 22.

Non-stationary electrical apparatus have generally high requirements on the energy/power supply. Robust plugs and receptacles as well as a high chemical resistance are at the first glance very important. Electrical reliability is a must not only for all connectivity products.

A high safety standard, a steady hold and faultless contacting even under vibration or the effects of an aggressive atmospheric environment are the basis for a secure and reliable utilisation

CEAG plugs and receptacles offer more, apart from the proven technology, this product series is defined by its innovative details. For example, the very efficient cable strain relief or the new coding system of the various versions offers different solutions for a secure and problem free utilization in all areas. Just to round the product off, the user in the normal industrial sector becomes exactly the same product advantages. Robust industrial versions fulfil all requirements appertaining to mechanical and chemical durability. For the stationary repair power supplying in hazardous explosive areas, there is a specially conceived version available that fulfils all the necessary safety requirements. Used in a module sense, individual solutions are no problem at all.

The CEAG wall socket for instance can be mounted on to the pre-installed mounting frame without having to use tools – installation without a hot work permit.

Apart from the plugs and receptacles for the European market, we also have plugs and sockets extra for the US market, which are in accordance to all of the necessary standards UL and safety protection systems used there. The available standard range used here, are the 20 A, 30 A, 60 A and 100 A.

## International approvals.

- Nickel-plated contacts
- Low insertion force
- Safety standard IP66 applies also in the plugged-in state
- Full AC-3 switching ability
- Self-cleaning lamellar contacts, low transition resistance
- All-pole on/off switching
- Easy plugging





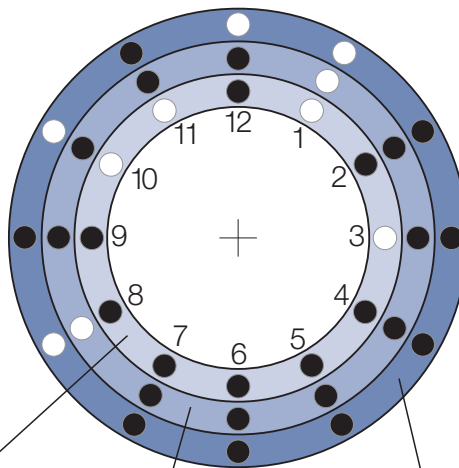
**High ingress protection**

The new plugs and receptacles reliably supply electrical power, even under the most difficult circumstances. From minus 20°C to plus 55°C there are no problems due to the ingress of water or dirt, because when the plug has

been withdrawn, the sockets and couplers fulfil the requirements for the degree of protection IP66; and thanks to the type of bayonet ring, the degree of protection IP66 is also ensured when the plug is inserted and energized – we have tested it!

**CEE plugs and receptacles**

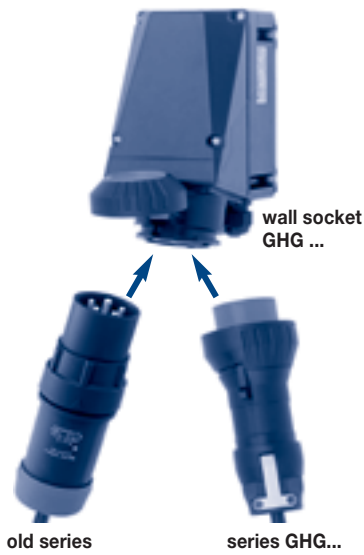
A first step towards creating an international standard for industrial plugs and receptacles was taken with the IEC 60309 and CEE Publication 17, "Requirements for Plugs and Receptacles for Industrial Use". "IEC" stands for "INTERNATIONAL ELECTRICAL COMMISSION". When selecting plugs and receptacles from the existing ranges for standardization, preference was given to round plugs and receptacles, as the contact-making insert can be arranged in various positions (hours of day). This allows a high degree of differentiation of plugs and receptacles with regard to the various types of currents, voltages, frequencies, etc.



Ground pin location	Number of pins (P = Power, N = Neutral, PE = Earth or Ground)		
	2 P + PE P + N + PE	3 P + PE	3 P + N + PE
2h	>50 V, 300 - 500 Hz, only 16 A/32 A green housing	>50 V, 300 - 500 Hz, only 16 A/32 A green housing	>50 V, 300 - 500 Hz, only 16 A/32 A green housing
3h	–	380 V, 50 Hz, nur 16 A/32 A 440 V, 60 Hz, nur 16 A/32 A <sup>1)</sup> red housing	220/380 V, 50 Hz, only 16 A/32 A 250/440 V, 60 Hz, only 16 A/32 A <sup>1)</sup> red housing
4h	100 - 130 V, 50–60 Hz yellow housing	100 - 130 V, 50–60 Hz yellow housing	57/100 - 75/130 V, 50–60 Hz yellow housing
5h	277 V, 60 Hz grey housing	600 - 690 V, 50/60 Hz black housing	347/600 - 400/690 V, 50/60 Hz black housing
6h	200 - 250 V, 50–60 Hz blaues Gehäuse	380 - 415 V, 50/60 Hz red housing	200/346 - 240/415 V, 50/60 Hz red housing
7h	480 - 500 V, 50–60 Hz grey housing	480 - 500 V, 50/60 Hz grey housing	277/480 - 288/500 V, 50/60 Hz grey housing
8h	> 250 V Gleichspannung grey housing	–	–
9h	380 - 415 V, 50–60 Hz red housing	200 - 250 V, 50/60 Hz blue housing	120/208 - 144/250 V, 50/60 Hz blue housing
10h	–	> 50 V, 100 - 300 Hz green housing	–
11h	–	440 - 460 V, 60 Hz <sup>2)</sup> red housing	250/400 - 265/460 V, 60 Hz <sup>2)</sup> red housing
12h	50 - 60 Hz <sup>3)</sup> grey housing	50/60 Hz <sup>3)</sup> grey housing	–

<sup>1)</sup> for reefer container; <sup>2)</sup> for ships; <sup>3)</sup> Output of an isolation transformer with more than 50V

## Ex-Plugs and Receptacles

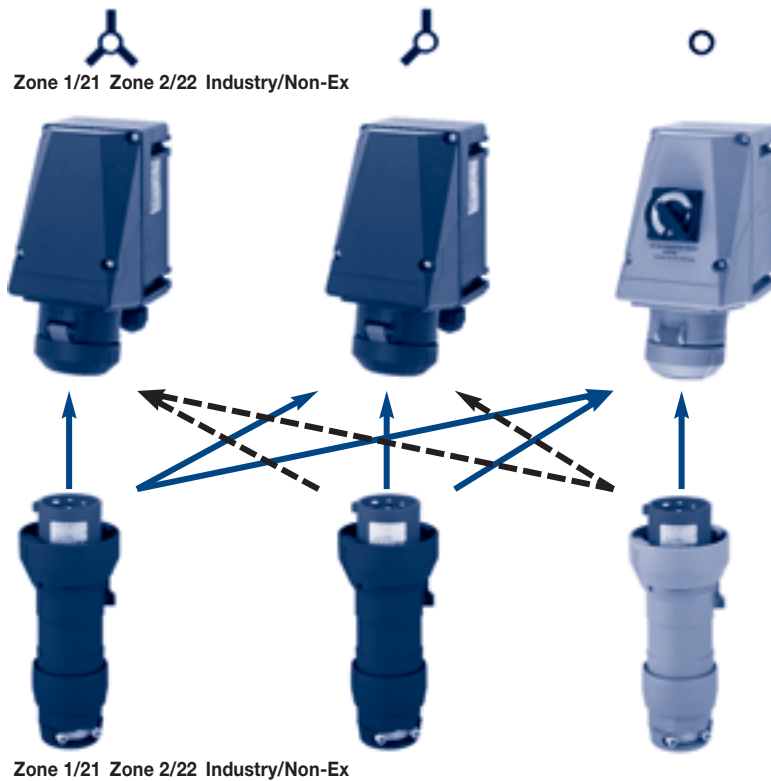


### The key to safety

Plugs and receptacles with a cleverness: The innovative coding of apparatus allows plugs used for Zone 1 to be used in receptacles for Zone 2 and/or for usage with industrial receptacles as well. Hence, plugs and receptacles for Zone 1 can be used anywhere. However, by the same token, the coding ensures that Zone 2 plugs cannot be operated in sockets with Zone 1 coding. That guarantees safety with an enormous flexibility in their usage. Speaking of flexibility: It goes without saying that the plugs of the existing range also fit into the new receptacles.

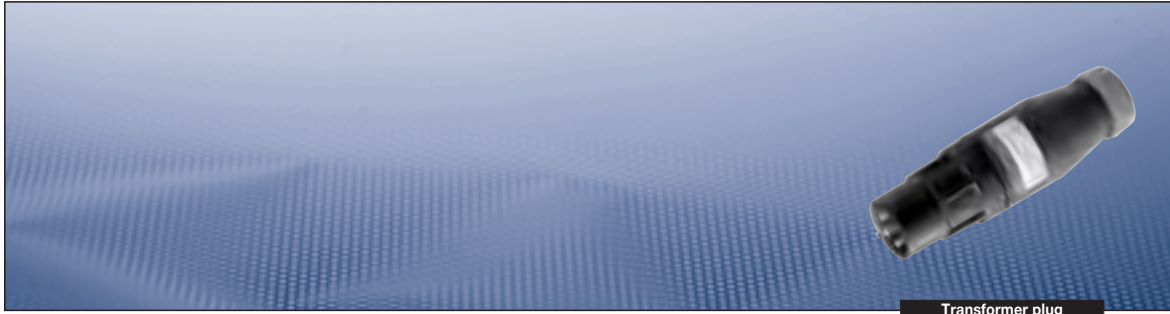
Zone 1	Zone 2	Industry

Coding of the plugs and receptacles



↑ possible  
 ↑ not possible  
 Combination of possible/not possible connections of plug/wall socket

**16A 4-/5-pole transf. plug**  
**Plug with fuse**






Transformer plug

**Technical data**

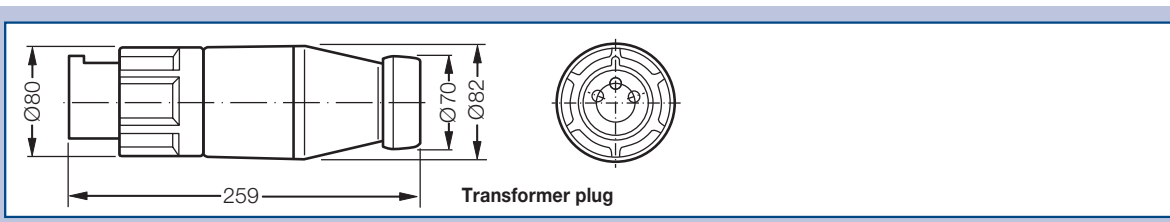
**Ex-transformer plug acc. to IEC 60309-1/2, up to 415 V**

Marking to 94/9/EC	Ⓔ II 2 G Ex ed IIC T5
EC-Type Examination Certificate	PTB 99 ATEX 1039
IECEX type of protection	Ex ed [ia] IIC T6/T5
IECEX certification of conformity	IECEX BKI 04.0002
Permissible ambient temperature	-20 °C to + 40 °C
Rated voltage primary	415 V AC
Rated voltage secondary	12 V, 24 V, 36 V, 42 V or 230 V~
Frequency	50 - 60 Hz
Power consumption	max. 65 VA
Back up fuse, internal	0.5 A mT, replaceable
Connecting terminals	1 x 1 - 4 mm <sup>2</sup>
Insulation class	I
Degree of protection to EN 60529	IP54
Cable glands	Ø 10 - 20 mm
Enclosure material	Glass-fibre reinforced polyester, polyamide

**Ordering details**

Voltage	h	Type	Weight approx.	Sec voltage	Order No.
<b>16 A transformer plug 4-pole</b>					
200-250 V		Transformer plug 65 VA	2.3 kg	42 V	<b>GHG 531 6469 V0000</b>
		Transformer plug 65 VA	2.3 kg	24 V	<b>GHG 531 6469 V5005</b>
		Transformer plug 65 VA	2.3 kg	12 V	<b>GHG 531 6469 V5025</b>
<b>16 A transformer plug 5-pole</b>					
380-415 V		Transformer plug 65 VA	2.3 kg	42 V	<b>GHG 531 6566 V0000</b>
		Transformer plug 65 VA	2.3 kg	24 V	<b>GHG 531 6566 V5005</b>
		Transformer plug 65 VA	2.3 kg	12 V	<b>GHG 531 6566 V5025</b>
		Transformer plug 65 VA	2.3 kg	230 V	<b>GHG 531 6566 V5023</b>
<b>Plug with fuse</b>					
200-250 V		Plug with fuse max. 6.3 A	1.3 kg	-	<b>GHG 531 7536 V0000</b>
<b>Accessories</b>					
Plug cap 3/4 pole					<b>GHG 530 1935 R0002</b>
Plug cap 5 pole					<b>GHG 530 1935 R0005</b>

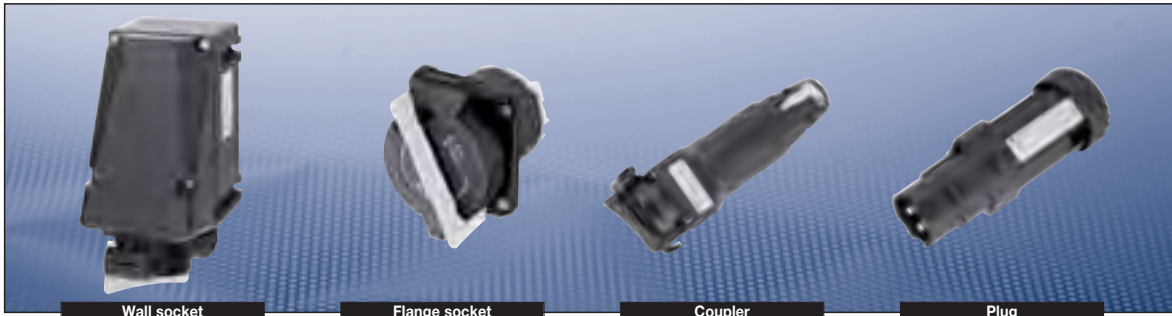
**Dimension drawing**



Dimensions in mm

1  
2  
3  
4  
5  
6  
7  
8  
9  
10  
11  
12

**16A 2-pole up to 50 V**  
**16A 3-pole up to 50 V**



Wall socket

Flange socket

Coupler

Plug

## Technical data

### Ex-plugs and receptacles for low voltage, 2- and 3-pole acc. to IEC 60309-1/2

Marking to 94/9/EC	Ⓔ II 2 G Ex de [ia] IIC T6/T5
EC-Type Examination Certificate	Wall socket, plug and coupler: PTB 99 ATEX 1039 Flange socket: PTB 99 ATEX 1063 U
IECEx certification of conformity	IECEx BKI 04.0002
IECEx type of protection	Ex ed [ia] IIC T6/T5
Permissible ambient temperature	-55 °C to +55 °C
Rated voltage	up to 50 V
Rated current	16 A
Frequency	up to 400 Hz
Rated making/rated breaking capacity AC-3 accd. EN 60947-3	U <sub>e</sub> 50 V / I <sub>e</sub> 16 A
External back-up fuse, max.	without therm. protection: 16 A / with therm. protection: 35 A
Degree of protection to EN 60529	IP54 (IP 66 optional)

#### Wall socket

Cable glands	1 x M25 Ø 8 - 17 mm, 1 x M25 Ex-screw plug plastic (bottom) or 2 x metal thread M20 with Ex-screw plug plastic
Connecting terminals	2 x 1.5 - 4 mm <sup>2</sup>
Enclosure material	Glass-fibre reinforced polyester

#### Plug

Cabel glands	Ø 9 - 17 mm
Connecting terminals	1.0 - 4 mm <sup>2</sup>
Enclosure material	Polyamide

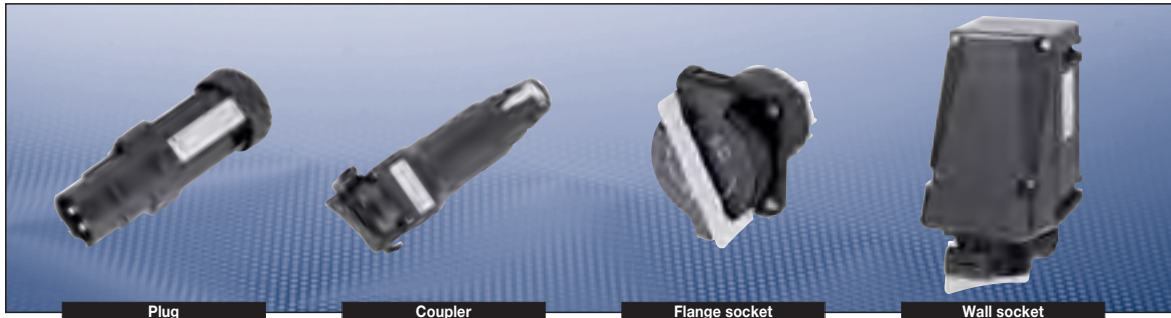
#### Coupler

Cabel glands	Ø 9 - 17 mm
Connecting terminals	1.5 - 4 mm <sup>2</sup>
Enclosure material	Polyamide

#### Flange socket

Connecting terminals	1.5 - 4 mm <sup>2</sup>
Enclosure material	Polyamide

16A 2-pole up to 50 V  
16A 3-pole up to 50 V



### Ordering details

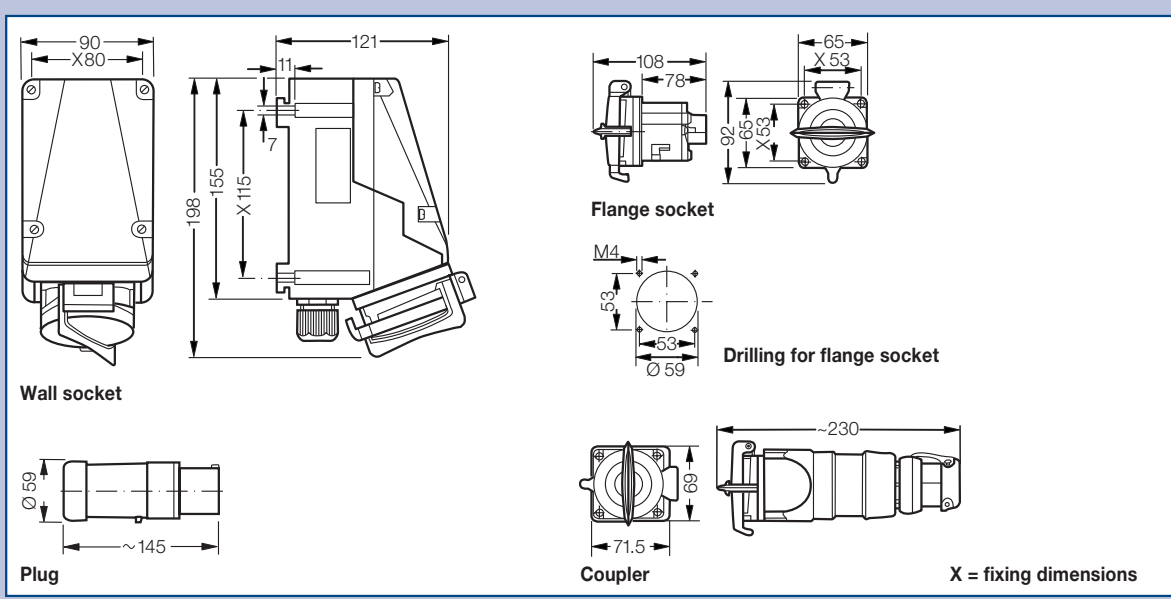
Voltage	h	Type	Cable entries	Weight approx.	Order No.
<b>Type 2-pole low voltage</b>					
≤ 24 V		Wall socket	M25 KU	1.2 kg	<b>GHG 513 4200 R0001</b>
		Flange socket		0.4 kg	<b>GHG 542 5200 V0000</b>
		Coupler		0.7 kg	<b>GHG 513 3200 R0001</b>
		Plug		0.35 kg	<b>GHG 542 2200 V0000</b>
42 V		Wall socket	M25 KU	1.2 kg	<b>GHG 513 4212 R0001</b>
		Flange socket		0.4 kg	<b>GHG 542 5212 V0000</b>
		Coupler		0.7 kg	<b>GHG 513 3212 R0001</b>
		Plug		0.35 kg	<b>GHG 542 2212 V0000</b>
<b>Type 3-pole low voltage</b>					
≤ 24 V		Wall socket	M25 KU	1.2 kg	<b>GHG 513 4300 R0001</b>
		Flange socket		0.4 kg	<b>GHG 542 5300 V0000</b>
		Coupler		0.7 kg	<b>GHG 513 3300 R0001</b>
		Plug		0.35 kg	<b>GHG 542 2300 V0000</b>
42 V		Wall socket	M25 KU	1.2 kg	<b>GHG 513 4312 R0001</b>
		Flange socket		0.4 kg	<b>GHG 542 5312 V0000</b>
		Coupler		0.7 kg	<b>GHG 513 3312 R0001</b>
		Plug		0.35 kg	<b>GHG 542 2312 V0000</b>

Other voltage ranges and versions available on request

### Accessories

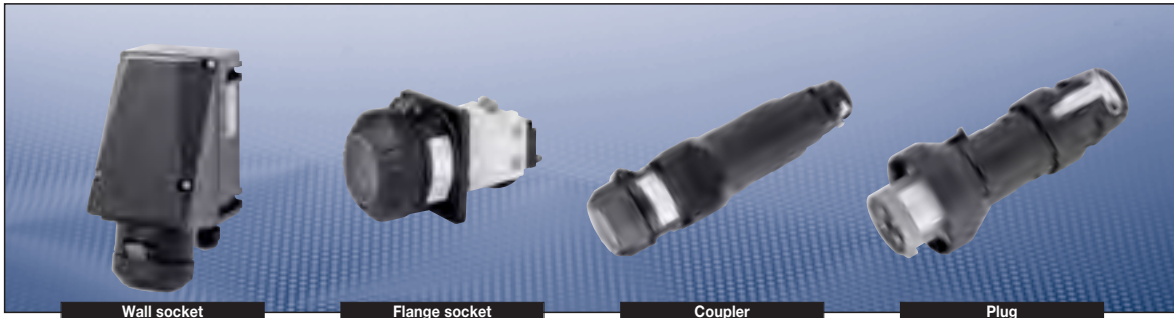
Type	Application	Fixing method	Order No.
Mounting plate size 4	wall mounting	snap on for GHG 531 4/5 pole	<b>GHG 610 1953 R0151</b>
Mounting plate size 4	wall mounting	snap on for GHG 531 3 pole	<b>GHG 610 1953 R0152</b>
Protective canopy size 4		puggable	<b>GHG 610 1955 R0107</b>

### Dimension drawing



Dimensions in mm

**16 A 3-pole, 4-pole and 5-pole up to 690 V**



**Technical data**

Ex-plugs and receptacles acc. to IEC 60309-1/2 16A	
Marking to 94/9/EC	Ⓔ II 2 G Ex ed IIC T6 / Ⓔ II 2 D Ex tD A21 IP66 T80 °C
EC-Type Examination Certificate	Wall socket, plug and coupler: PTB 99 ATEX 1039 Flange socket: PTB 99 ATEX 1040 U
IECEx certification of conformity	IECEx BKI 04.0002
IECEx type of protection	Ex ed [ia] IIC T6/T5
Permissible ambient temperature	-20°C to +40°C <sup>1)</sup>
Rated voltage	up to 400 V (3-pole) / 690 V (4-pole) / 500 V (5-pole) AC
Rated current	16 A
Frequency	up to 400 Hz
Rated making/rated breaking capacity AC-3 accd. EN 60947-3	U <sub>e</sub> 690 V / I <sub>e</sub> 16 A
External back-up fuse, max.	without therm. protection: 16 A with therm. protection: 35 A gL (rated current 16 A set to)
Insulation class	I
Degree of protection to EN 60529	IP66

Wall socket	
Cable glands	1 x M25 Ø 8 - 17 mm, 1 x M25 Ex-screw plug plastic or 2 x metal thread M20 with Ex-screw plug plastic
Connecting terminals	2 x 1 - 4 mm <sup>2</sup>
Enclosure material	Glass-fibre reinforced polyester

Plug	
Cable glands	Ø 8 - 19 mm (3-pole) / Ø 8 - 21 mm (4-pole) / 12 - 21 mm (5-pole)
Connecting terminals	1 x 1.0 - 2.5 mm <sup>2</sup>
Enclosure material	polyamide

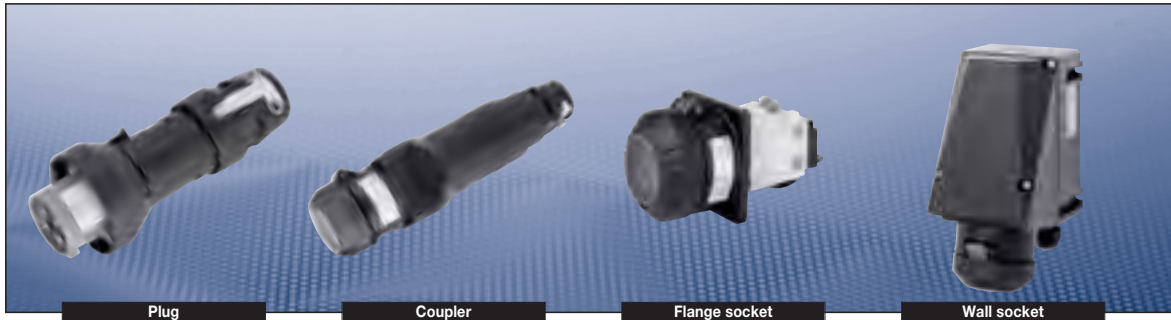
Coupler	
Cable glands	Ø 8 - 19 mm (3-pole) / Ø 8 - 21 mm (4-pole) / 12 - 21 mm (5-pole)
Connecting terminals	2 x 1 - 4 mm <sup>2</sup>
Enclosure material	polyamide

Flange socket	
Connecting terminals	2 x 1 - 4 mm <sup>2</sup>
Enclosure material	polyamide

<sup>1)</sup> extended temperature range on request

**Ordering details**

Voltage	h	Type	Auxiliary contact	Cable entries	Weight approx.	Order No.
110-130 V		Wall socket	-	M25 KU	1.2 kg	<b>GHG 511 4304 R0001</b>
		Wall socket	-	M20 GE	1.2 kg	<b>GHG 511 4304 R0002</b>
		Wall socket	-	M20 ME	1.3 kg	<b>GHG 511 4304 R3001</b>
		Wall socket	-	M20 GM	1.3 kg	<b>GHG 511 4304 R3003</b>
	4	Flange socket			0.4 kg	<b>GHG 511 8304 R0001</b>
		Coupler			0.7 kg	<b>GHG 511 3304 R0001</b>
		Plug			0.35 kg	<b>GHG 511 7304 R0001</b>



**Ordering details**

Voltage	h	Type	Auxiliary contact	Cable entries	Weight approx.	Order No.
<b>Type 16 A 3-pole</b>						
200-250 V		Wall socket	–	M25 KU	1.2 kg	<b>GHG 511 4306 R0001</b>
		Wall socket	–	M20 GE	1.2 kg	<b>GHG 511 4306 R0002</b>
		Wall socket	–	M20 ME	1.3 kg	<b>GHG 511 4306 R3001</b>
	6	Wall socket	–	M20 GM	1.3 kg	<b>GHG 511 4306 R3003</b>
		Flange socket			0.4 kg	<b>GHG 511 8306 R0001</b>
		Coupler			0.7 kg	<b>GHG 511 3306 R0001</b>
		Plug			0.35 kg	<b>GHG 511 7306 R0001</b>
<b>Type 16 A 4-pole</b>						
200-250 V		Wall socket	–	M25 KU	1.8 kg	<b>GHG 511 4409 R0001</b>
		Wall socket	–	M20 ME	1.9 kg	<b>GHG 511 4409 R3001</b>
		Flange socket			1.0 kg	<b>GHG 511 8409 R0001</b>
	9	Coupler			1.7 kg	<b>GHG 511 3409 R0001</b>
		Plug			0.7 kg	<b>GHG 511 7409 R0001</b>
380-415 V		Wall socket	–	M25 KU	1.8 kg	<b>GHG 511 4406 R0001</b>
		Wall socket	–	M20 ME	1.9 kg	<b>GHG 511 4406 R3001</b>
		Wall socket	yes	M25 KH	1.8 kg	<b>GHG 511 4406 R0501</b>
	6	Flange socket			1.0 kg	<b>GHG 511 8406 R0001</b>
		Coupler			1.7 kg	<b>GHG 511 3406 R0001</b>
		Plug			0.7 kg	<b>GHG 511 7406 R0001</b>
480-500 V		Wall socket	–	M25 KU	1.8 kg	<b>GHG 511 4407 R0001</b>
		Wall socket	–	M20 ME	1.9 kg	<b>GHG 511 4407 R3001</b>
		Wall socket	yes	M25 KH	1.8 kg	<b>GHG 511 4407 R0501</b>
	7	Flange socket			1.0 kg	<b>GHG 511 8407 R0001</b>
		Coupler			1.7 kg	<b>GHG 511 3407 R0001</b>
600-690 V		Wall socket	–	M25 KU	1.8 kg	<b>GHG 511 4405 R0001</b>
		Wall socket	–	M20 ME	1.9 kg	<b>GHG 511 4405 R3001</b>
		Wall socket	yes	M25 KH	1.8 kg	<b>GHG 511 4405 R0501</b>
	5	Flange socket			1.0 kg	<b>GHG 511 8405 R0001</b>
		Coupler			1.7 kg	<b>GHG 511 3405 R0001</b>
		Plug			0.7 kg	<b>GHG 511 7405 R0001</b>
<b>Type 16 A 5-pole</b>						
200-250 V		Wall socket	–	M25 KU	1.8 kg	<b>GHG 511 4506 R0001</b>
380-415 V		Wall socket	–	M20 ME	1.9 kg	<b>GHG 511 4506 R3001</b>
		Wall socket	yes	M25 KH	1.8 kg	<b>GHG 511 4506 R0501</b>
		Flange socket			1.0 kg	<b>GHG 511 8506 R0001</b>
		Coupler			1.7 kg	<b>GHG 511 3506 R0001</b>
6	Plug			0.7 kg	<b>GHG 511 7506 R0001</b>	

Other voltage ranges and versions available on request.

KU = 1 x plastic cable glands M25 for Ø 8 -17 mm, 1 x M25 Ex-screw plug plastic

KH = 2 x plastic cable glands M25 for Ø 8 - 17 mm, auxiliary contact, 1 NO

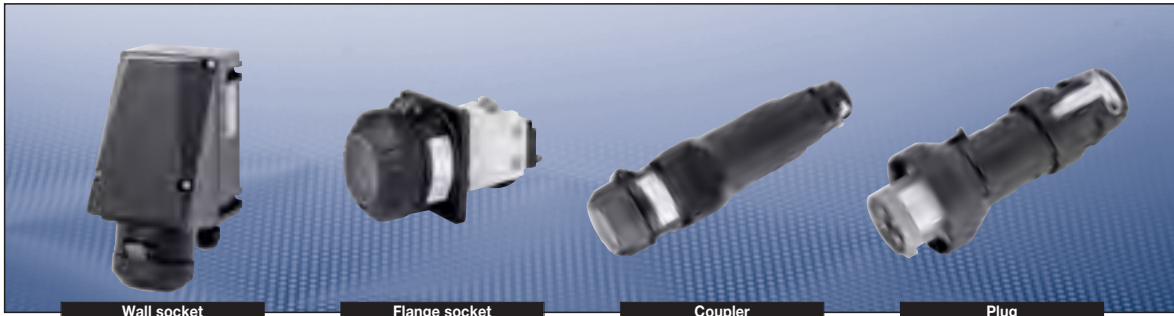
ME = 2 x metal thread M20 with Ex-screw plug plastic

GE = 2 x plastic thread M20 without cable gland/screw plug

GM = 2 x metal thread M20 without cable gland/screw plug



**16A 3-pole, 4-pole and 5-pole up to 690 V**



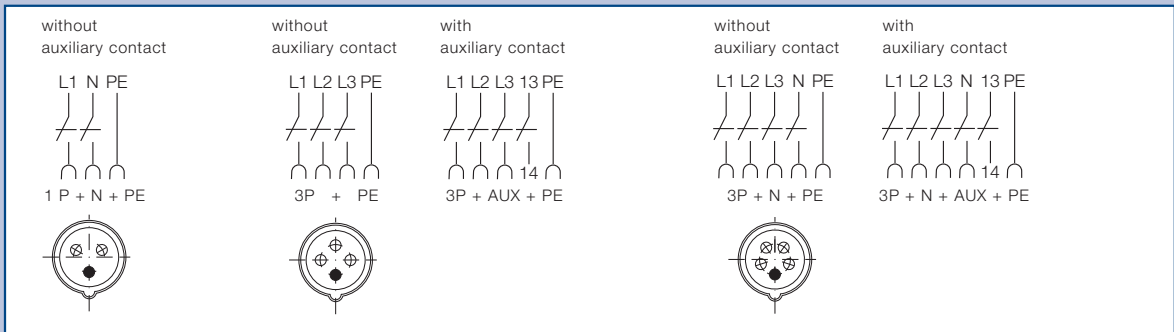
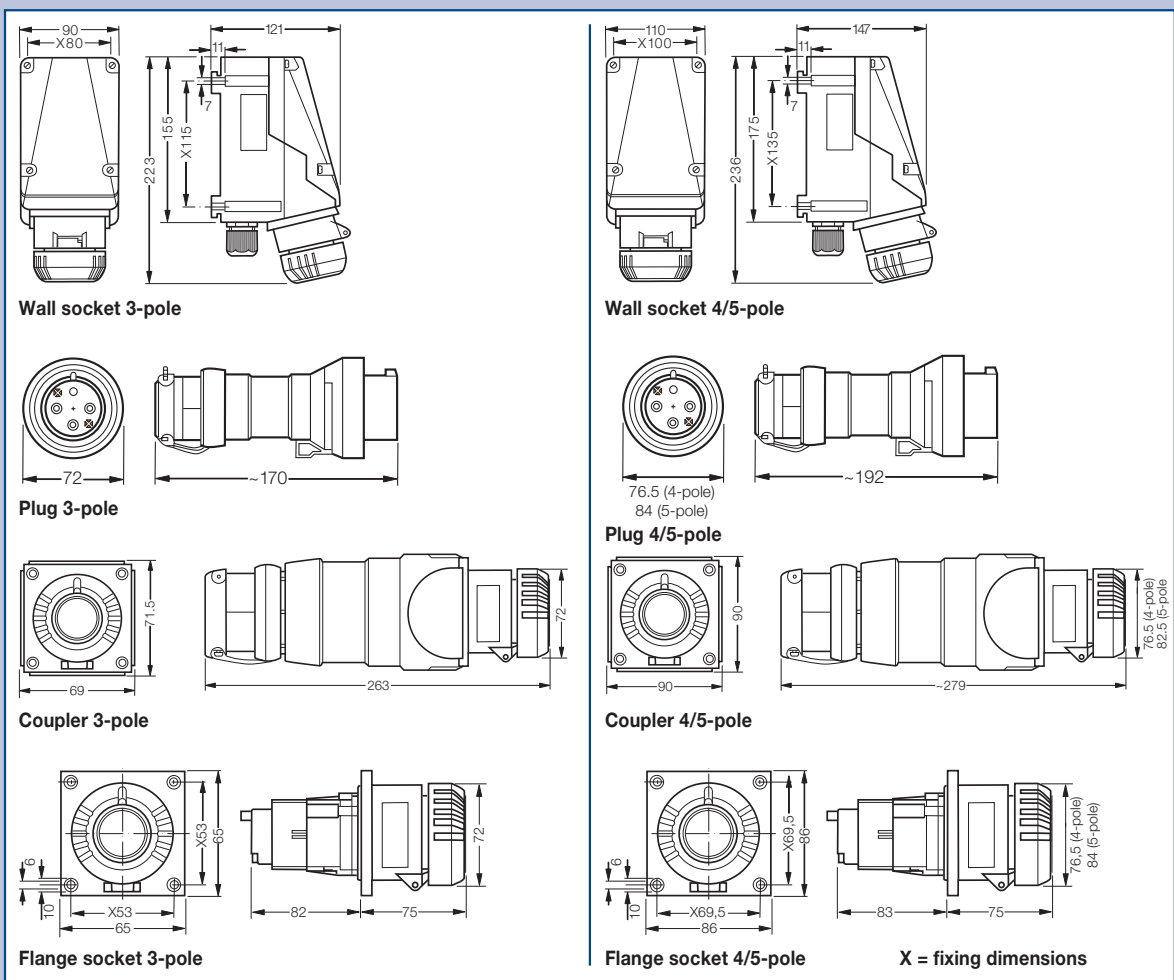
Wall socket

Flange socket

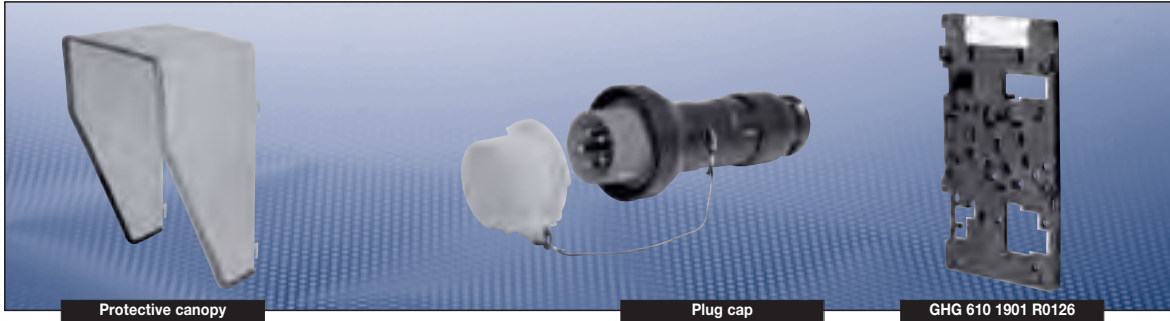
Coupler

Plug

**Dimension drawing | Wiring diagram**



Dimensions in mm



## Accessories

### Mounting plates for wall sockets 16 A

Type	Application	Fixing method	Order No.
Size 4	for wall mounting	snapped on	GHG 610 1953 R0126
Size 4	for trellis mounting	snapped on	GHG 610 1953 R0126
Size 4	for pipe mounting	snapped on	GHG 610 1953 R0130

### Plug cap for plugs 16 A

Type	Order No.
Plug 16 A 3-pole	GHG 510 1901 R0001
Plug 16 A 4-pole	GHG 510 1901 R0002
Plug 16 A 5-pole	GHG 510 1901 R0003

### Accessories for mounting plates

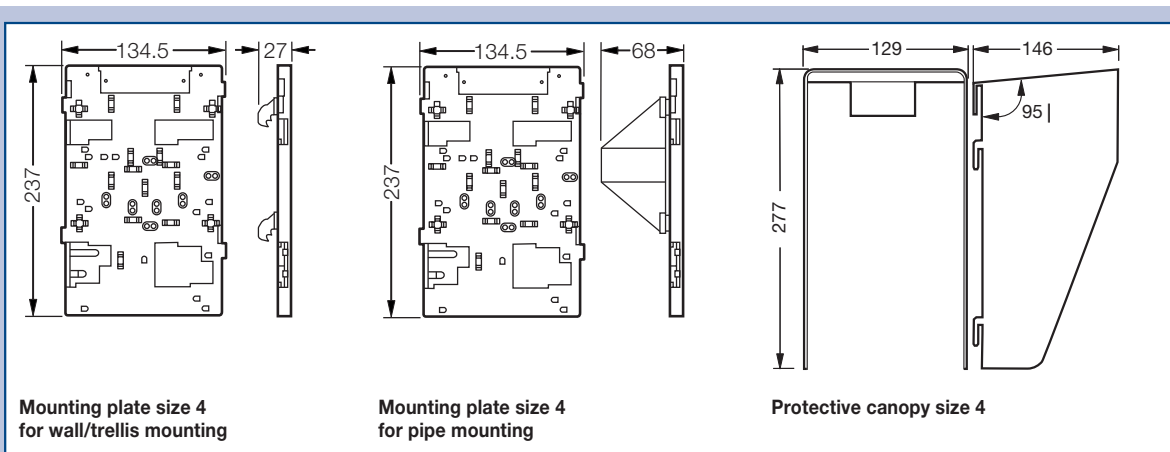
Type	OU	Order No.
Mounting set for pipes 1" (Ø 27 - 30 mm) for mounting plates with pipe fixing	10	GHG 610 1953 R0020

Please pay attention to that only order units (OU) according to the ordering details can be delivered.

### Protective canopy for mounting plate

Type	Application	Order No.
Size 4	for mounting plate size 4 plugable	GHG 610 1955 R0107

## Dimension drawing



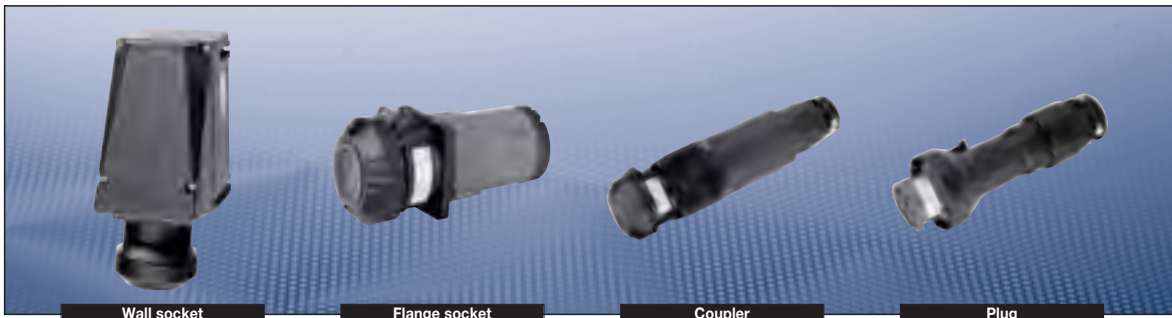
Mounting plate size 4 for wall/trellis mounting

Mounting plate size 4 for pipe mounting

Protective canopy size 4

Dimensions in mm

**32A 4-pole up to 690 V**  
**32A 5-pole up to 415 V**



## Technical data

Ex-plugs and receptacles accd. to IEC 60309-1/2	
Marking to 94/9/EC	⊕ II 2 G Ex de (ia) IIC T6 / ⊕ II 2 D Ex tD A21 IP66 T60 °C
EC-Type Examination Certificate	Wall socket, plug and coupler: PTB 99 ATEX 1041 Flange socket: PTB 99 ATEX 1042 U
IECEX certification of conformity	IECEX BKI 04.0006
IECEX type of protection	Ex ed [ia] IIC T6/T5
Permissible ambient temperature	-20 °C to +40 °C <sup>1)</sup>
Rated voltage	up to 750 V (AC)
Rated current	32 A
Frequency	up to 400 Hz
Rated making/rated breaking capacity AC-3 accd. EN 60947-3	U <sub>e</sub> 690 V / I <sub>e</sub> 32 A
External back-up fuse	without therm. protection: 35 A with therm. protection: 50 A gL (rated current 32 A set to
Insulation class	I
Degree of protection accd. EN 60529	IP66
Enclosure colour	black

### Wall socket

Cable glands/enclosure drilling	1 x M40 Ø 17 - 28 mm, 1 x M40 Ex-screw plug plastic or 2 x M32 metal thread with 2 Ex-screw plug plastic
Connecting terminals	2 x 4 - 10 mm <sup>2</sup>
Enclosure material	Glass-fibre reinforced polyester

### Plug

Cabel glands	Ø 17 - 28 mm
Connecting terminals	1.0 - 6 mm <sup>2</sup>
Enclosure material	Polyamide

### Coupler

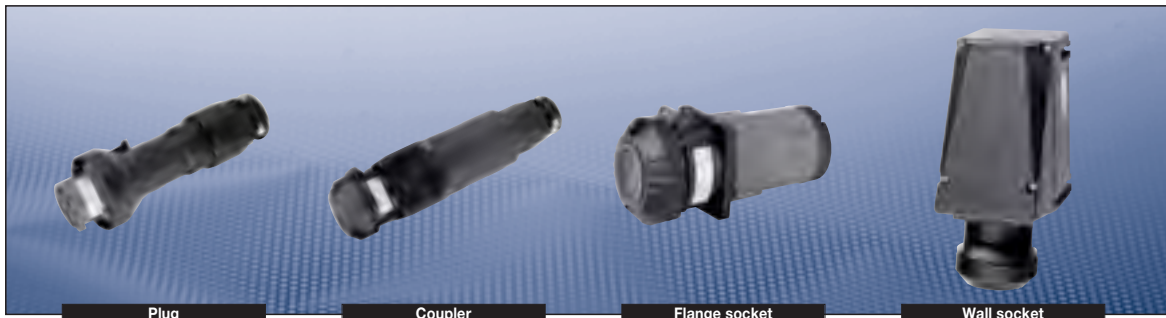
Cabel glands	Ø 17 - 28 mm
Connecting terminals	2 x 4 - 10 mm <sup>2</sup>
Enclosure material	Polyamide

### Flange socket

Connecting terminals	2 x 4 - 10 mm <sup>2</sup>
Enclosure material	Polyamide

<sup>1)</sup> extended temperature range on request

**| 32A 4-pole up to 690 V |**  
**| 32A 5-pole up to 415 V |**



## Ordering details

Voltage	h	Type	Auxiliary contact	Cable entries	Weight approx.	Order No.
<b>Type 32 A 4-pole</b>						
200-250 V		Wall socket	–	KU	1.8 kg	<b>GHG 512 4409 R0001</b>
		Wall socket	–	ME	1.9 kg	<b>GHG 512 4409 R3001</b>
		Flange socket			1.0 kg	<b>GHG 512 8409 R0001</b>
		Coupler			1.7 kg	<b>GHG 512 3409 R0001</b>
		Plug			0.7 kg	<b>GHG 512 7409 R0001</b>
380-415 V		Wall socket	–	KU	1.8 kg	<b>GHG 512 4406 R0001</b>
		Wall socket	–	ME	1.9 kg	<b>GHG 512 4406 R3001</b>
		Wall socket	yes	KH	1.8 kg	<b>GHG 512 4406 R0501</b>
		Flange socket			1.0 kg	<b>GHG 512 8406 R0001</b>
		Coupler			1.7 kg	<b>GHG 512 3406 R0001</b>
480-500 V		Wall socket	–	KU	1.8 kg	<b>GHG 512 4407 R0001</b>
		Wall socket	–	ME	1.9 kg	<b>GHG 512 4407 R3001</b>
		Wall socket	yes	KH	1.8 kg	<b>GHG 512 4407 R0501</b>
		Flange socket			1.0 kg	<b>GHG 512 8407 R0001</b>
		Coupler			1.7 kg	<b>GHG 512 3407 R0001</b>
600-690 V		Wall socket	–	KU	1.8 kg	<b>GHG 512 4405 R0001</b>
		Wall socket	–	ME	1.9 kg	<b>GHG 512 4405 R3001</b>
		Wall socket	yes	KH	1.8 kg	<b>GHG 512 4405 R0501</b>
		Flange socket			1.0 kg	<b>GHG 512 8405 R0001</b>
		Coupler			1.7 kg	<b>GHG 512 3405 R0001</b>
200-250 V 380-415 V		Wall socket	–	KU	1.8 kg	<b>GHG 512 4506 R0001</b>
		Wall socket	–	ME	1.9 kg	<b>GHG 512 4506 R3001</b>
		Wall socket	yes	KH	1.8 kg	<b>GHG 512 4506 R0501</b>
		Flange socket			1.0 kg	<b>GHG 512 8506 R0001</b>
		Coupler			1.7 kg	<b>GHG 512 3506 R0001</b>
200-250 V 380-415 V		Plug			0.7 kg	<b>GHG 512 7506 R0001</b>

Other voltage ranges and versions available on request.

KU = 1 x plastic cable glands M40 for Ø 17-28 mm, 1 x M40 Ex-screw plug plastic

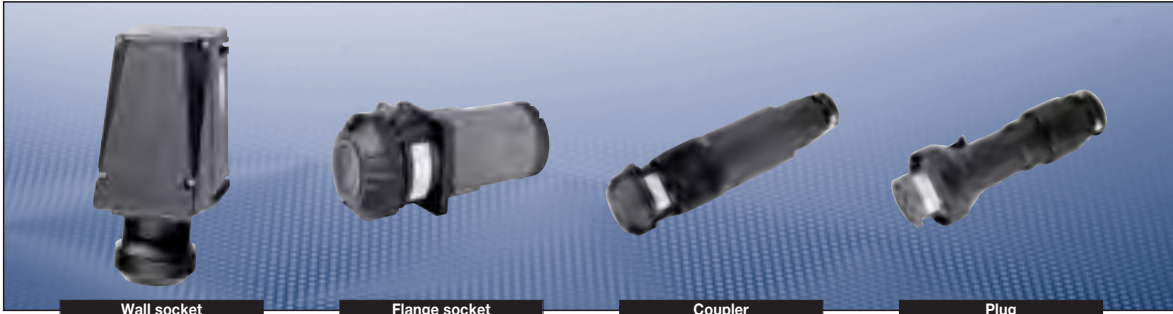
KH = 1 x plastic cable glands M40 for Ø 16-28 mm,

1 x plastic cable glands M25 for Ø 8 - 17 mm, with auxiliary contact

ME = 2 x metal thread M32 with Ex-screw plug plastic

1  
2  
3  
4  
5  
6  
7  
8  
9  
10  
11  
12

32A 4-pole up to 690 V  
 32A 5-pole up to 415 V



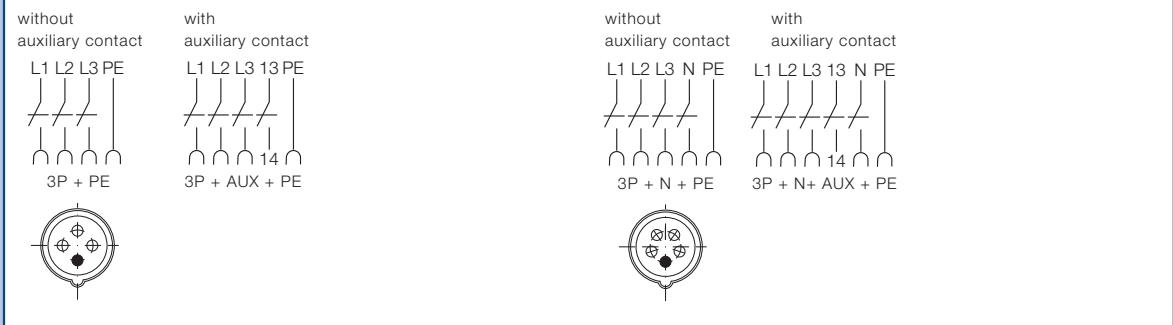
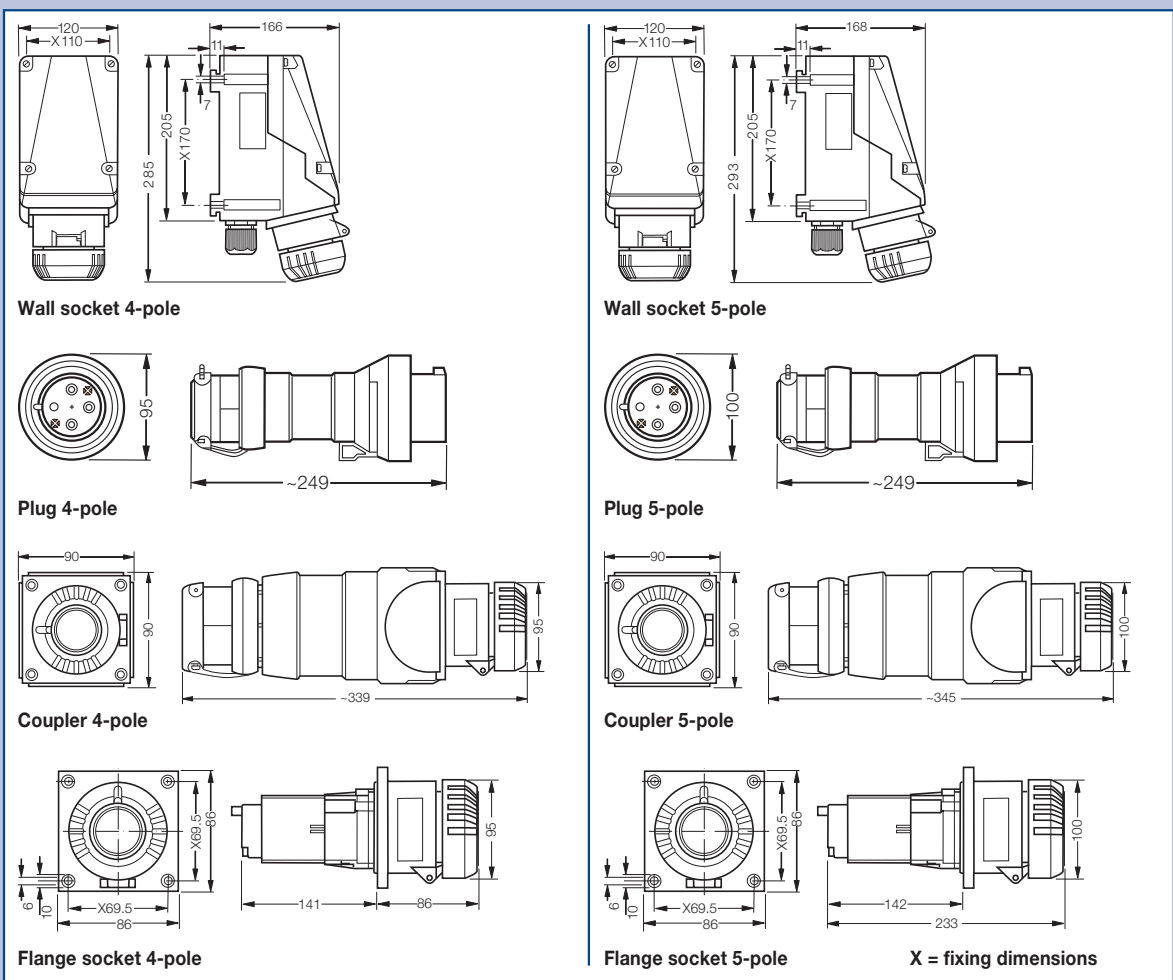
Wall socket

Flange socket

Coupler

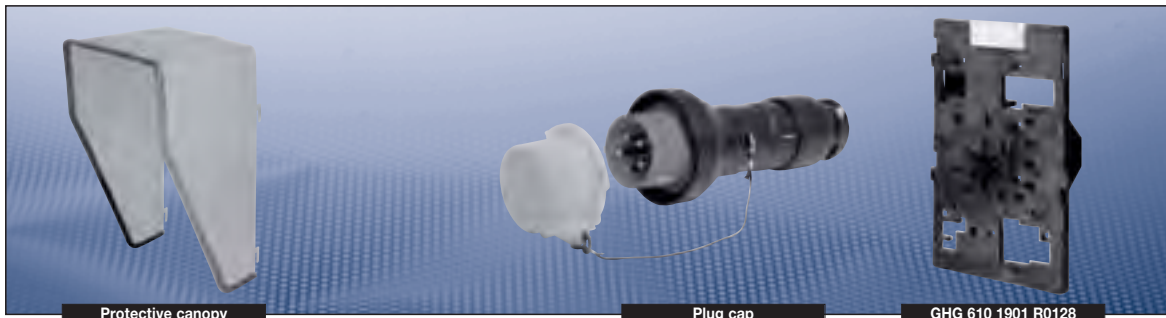
Plug

Dimension drawing | Wiring diagram



Dimensions in mm

32A 4-pole up to 690 V  
32A 5-pole up to 415 V



## Accessories

### Mounting plates for wall sockets 32 A

Type	Application	Fixing method	Order No.
Size 5	for wall mounting	snapped on	GHG 610 1953 R0128
Size 5	for trellis mounting	snapped on	GHG 610 1953 R0128
Size 5	for pipe mounting	snapped on	GHG 610 1953 R0132

### Plug cap for plugs 32 A

Type	Order No.
Plug 32 A 3-pole/4-pole	GHG 510 1901 R0004
Plug 32 A 5-pole	GHG 510 1901 R0005

### Accessories for mounting plates

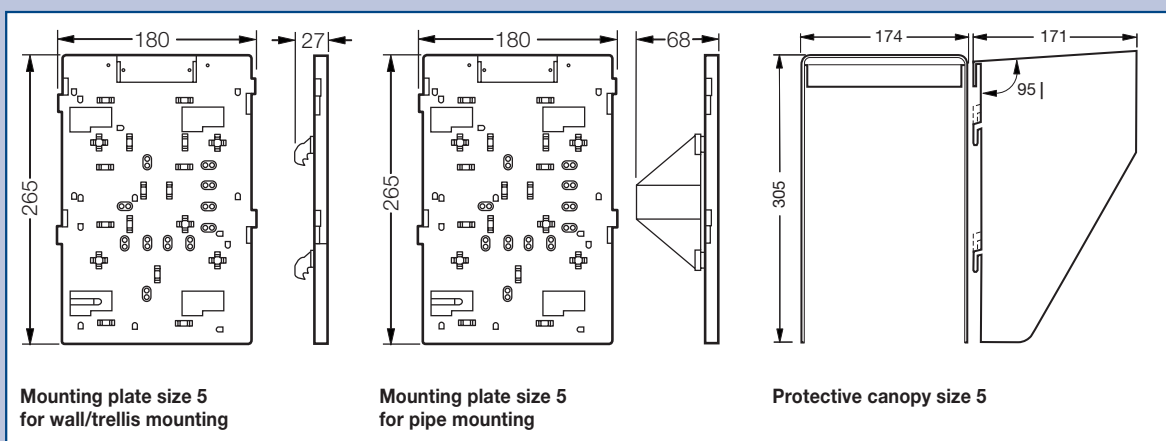
Type	OU	Order No.
Mounting set for pipes 1" (Ø 27 - 30 mm) for mounting plates with pipe fixing	10	GHG 610 1953 R0020

Please pay attention to that only order units (OU) according to the ordering details can be delivered.

### Protective canopy for mounting plate

Type	Application	Order No.
Size 5	for mounting plate size 5, plugable	GHG 610 1955 R0108

## Dimension drawing



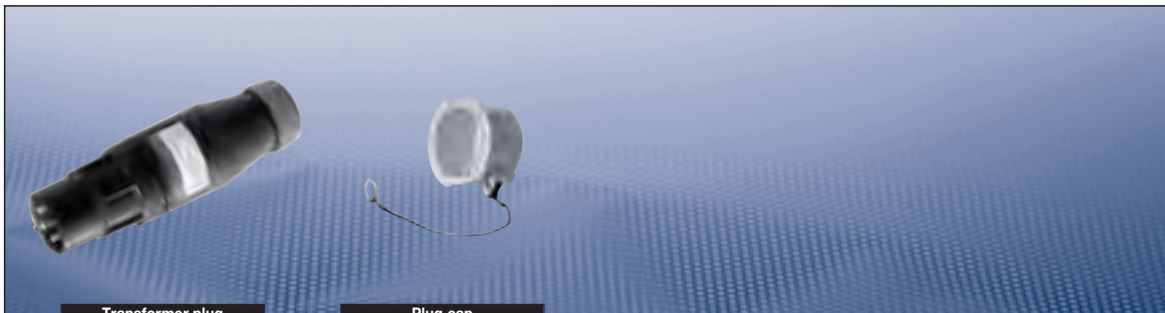
Mounting plate size 5  
for wall/trellis mounting

Mounting plate size 5  
for pipe mounting

Protective canopy size 5

Dimensions in mm

**32A 4-/5-pole Transformer plug | Plug with fuse |**






Transformer plug

Plug cap

**Technical data**

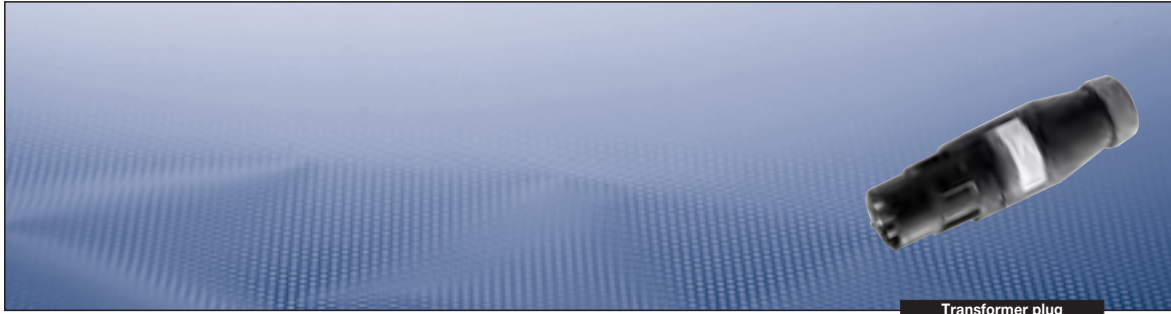
Ex-transformer plug accd. to IEC 60309-1/2, up to 415 V	
Marking to 94/9/EC	Ⓔ II 2 G Ex de IIC T5
EC-Type Examination Certificate	PTB 99 ATEX 1041
IECEX certification of conformity	IECEX BK1 04.0006
IECEX type of protection	Ex ed [ia] IIC T6/T5
Permissible ambient temperature	-20 °C to + 40 °C <sup>1)</sup>
Rated voltage primary	250 V AC
Rated voltage secondary	24 V, 36 V or 42 V/230 V (AC)
Frequency	50/60 Hz
Power consumption	max. 65 VA
Back up fuse, internal	0.5 A mT, replaceable
Connecting terminals	1 x 1 - 4 mm <sup>2</sup>
Insulation class	I
Degree of protection to EN 60529	IP54
Enclosure material	Glass-fibre reinforced polyester, polyamide

**Ordering details**

Voltage	h	Type	Weight approx.	Sec voltage	Order No.
<b>32 A transformer plug 4-pole</b>					
200-250 V		Transformer plug 65 VA	2.3 kg	42 V	<b>GHG 532 6469 V0000</b>
		Transformer plug 65 VA	2.3 kg	24 V	<b>GHG 532 6469 V5005</b>
<b>32 A transformer plug 5-pole</b>					
380-415 V		Transformer plug 65 VA	2.3 kg	42 V	<b>GHG 532 6566 V0000</b>
		Transformer plug 65 VA	2.3 kg	24 V	<b>GHG 532 6566 V5005</b>
		Transformer plug 65 VA	2.3 kg	12 V	<b>GHG 532 6566 V5025</b>
		Transformer plug 65 VA	2.3 kg	230 V	<b>GHG 532 6566 V5023</b>
<b>Plug with fuse</b>					
200-250 V		Plug with fuse max. 6.3 A	1.3 kg		<b>GHG 532 7536 V0000</b>
<b>Accessories</b>					
		Plug cap 4 pole			<b>GHG 530 1935 R0002</b>
		Plug cap 5 pole			<b>GHG 530 1935 R0005</b>

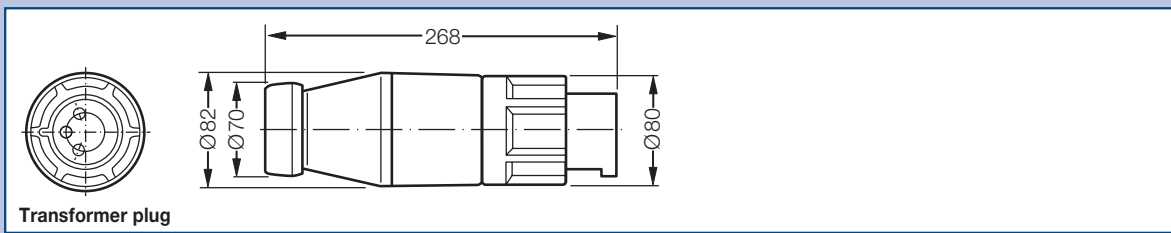
<sup>1)</sup> extended temperature range on request

**32A 4-/5-pole Transformer plug**  
**Plug with fuse**



Transformer plug

**Dimension drawing**



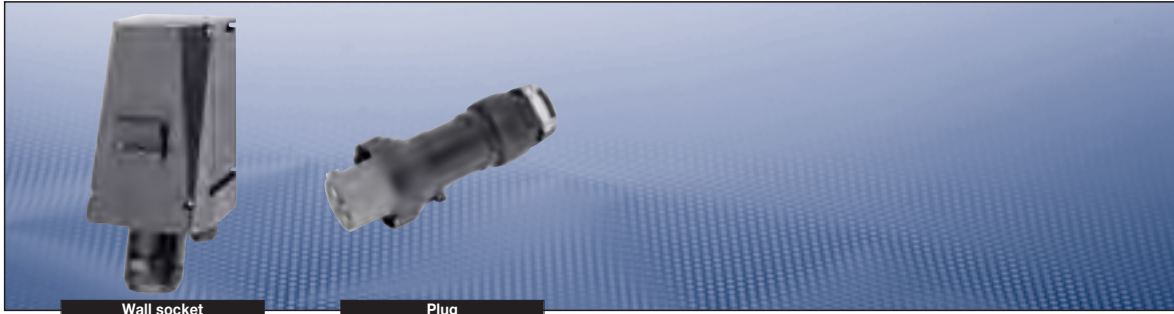
Transformer plug

Dimensions in mm

- 1
- 2
- 3
- 4
- 5
- 6
- 7
- 8
- 9
- 10
- 11
- 12



**| 63 A 4- and 5-pole up to 690 V |**



**Technical data**

**Ex-plugs and receptacles accd. to IEC 60309-1/2**

Marking to 94/9/EC	Ⓔ II 2 G Ex de IIC T5/T6 / Ⓔ II 2 D Ex tD A21 IP66 T80 °C
EC-Type Examination Certificate	PTB 00 ATEX 1070
IECEX certification of conformity	IECEX BKI 04.0004
IECEX type of protection	Ex ed IIC T6
Permissible ambient temperature	-20 °C to + 40 °C <sup>1)</sup>
Rated voltage	690 V (AC)
Rated current	63 A
Frequency	up to 400 Hz
Rated making/rated breaking capacity AC-3 accd. EN 60947-3	U <sub>e</sub> 690 V / I <sub>e</sub> 63 A
External back up fuse	without therm. protection: 63 A with therm. protection: 80 A gL (rated current 63 A set to)
Insulation class	I
Degree of protection accd. EN 60529	IP66
Enclosure colour	Black

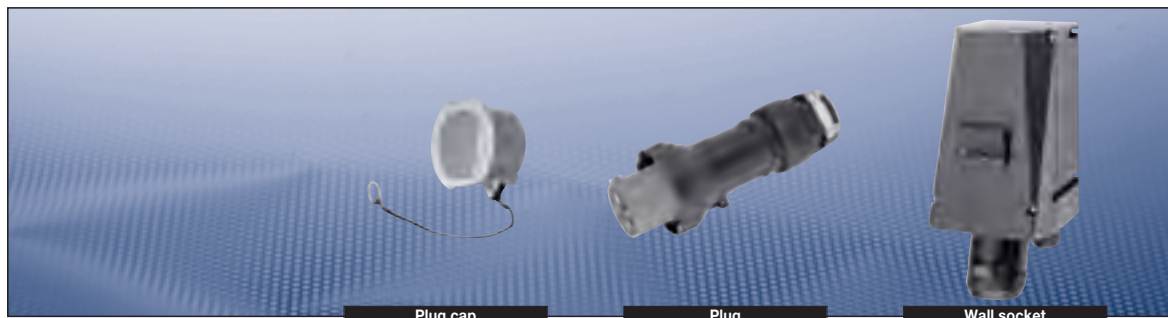
**Wall socket**

Cable glands/enclosure drilling	1 x M50 Ø 22 - 35 mm, 1 x M50 Ex-screw plug plastic or 2 x M40 metal thread with 2 Ex-screw plug plastic
Connecting terminals	2 x 4 - 25 mm <sup>2</sup> / with cable lug 1 x 35 mm <sup>2</sup>
Enclosure material	Glass-fibre reinforced polyester

**Plug**

Cabel glands	Ø 19 - 34 mm
Connecting terminals	1 x 4 - 16 mm <sup>2</sup> / pin-cable lug <sup>2)</sup> 1 x 25 mm <sup>2</sup>
Enclosure material	Polyamide

<sup>1)</sup> extended temperature range on request



Plug cap

Plug

Wall socket

### Ordering details

Voltage	h	Type	Auxiliary contact	Cable entries	Weight approx.	Order No.
<b>Type 63 A 4-pole</b>						
200-250 V		Wall socket	–	KU	8.1 kg	<b>GHG 514 4409 R0001</b>
		Wall socket	–	ME	8.2 kg	<b>GHG 514 4409 R3001</b>
		Plug			0.75 kg	<b>GHG 514 7409 R0001</b>
380-415 V		Wall socket	–	KU	8.1 kg	<b>GHG 514 4406 R0001</b>
		Wall socket	–	ME	8.2 kg	<b>GHG 514 4406 R3001</b>
		Wall socket	yes	KH	8.2 kg	<b>GHG 514 4406 R0501</b>
		Plug			0.75 kg	<b>GHG 514 7406 R0001</b>
480-500 V		Wall socket	–	KU	8.1 kg	<b>GHG 514 4407 R0001</b>
		Wall socket	–	ME	8.2 kg	<b>GHG 514 4407 R3001</b>
		Wall socket	yes	KH	8.2 kg	<b>GHG 514 4407 R0501</b>
		Plug			0.75 kg	<b>GHG 514 7407 R0001</b>
600-690 V		Wall socket	–	KU	8.1 kg	<b>GHG 514 4405 R0001</b>
		Wall socket	–	ME	8.1 kg	<b>GHG 514 4405 R3001</b>
		Wall socket	yes	KH	8.2 kg	<b>GHG 514 4405 R0501</b>
		Plug			0.75 kg	<b>GHG 514 7405 R0001</b>

<b>Type 63 A 5-pole</b>						
200-250 V		Wall socket	–	KU	8.1 kg	<b>GHG 514 4506 R0001</b>
380-415 V		Wall socket	–	ME	8.1 kg	<b>GHG 514 4506 R3001</b>
		Wall socket	yes	KH	8.2 kg	<b>GHG 514 4506 R0501</b>
		Plug			0.75 kg	<b>GHG 514 7506 R0001</b>

### Accessories

#### Plug cap for plugs

Type	OU	Order No.
Plug cap 4-pole/5-pole	1	<b>GHG 510 1901 R0006</b>
Pin cable lug 25 mm <sup>2</sup>	5	<b>GHG 510 1916 R0001</b>

Other voltage ranges and versions available on request.

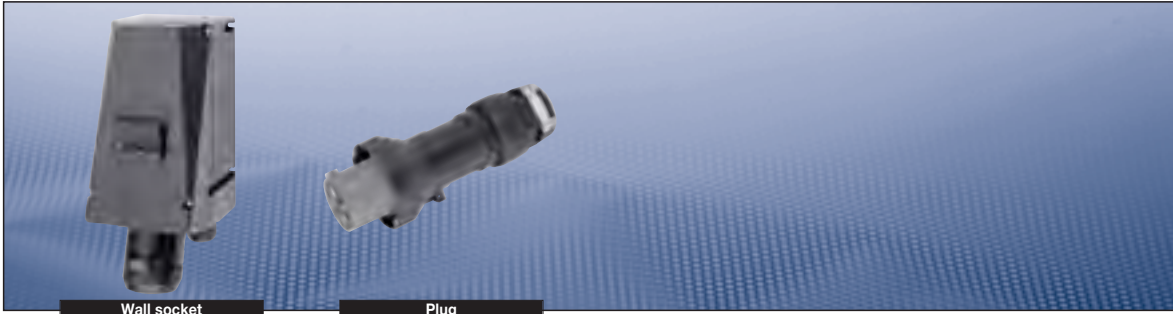
KU = 1 x plastic cable glands M40 for Ø 17-28 mm, 1 x M40 Ex-screw plug plastic

KH = 1 x plastic cable glands M40 for Ø 16-28 mm,

1 x plastic cable glands M25 for Ø 8 - 17 mm, with auxiliary contact

ME = 2 x metal thread M32 with Ex-screw plug plastic

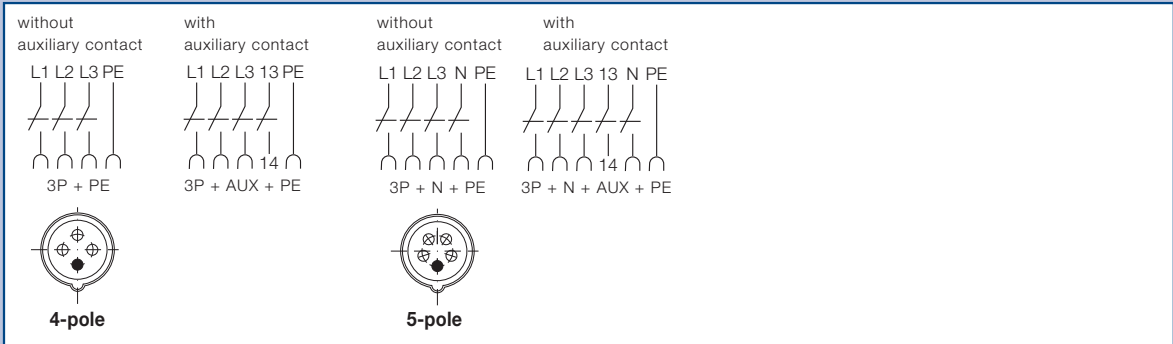
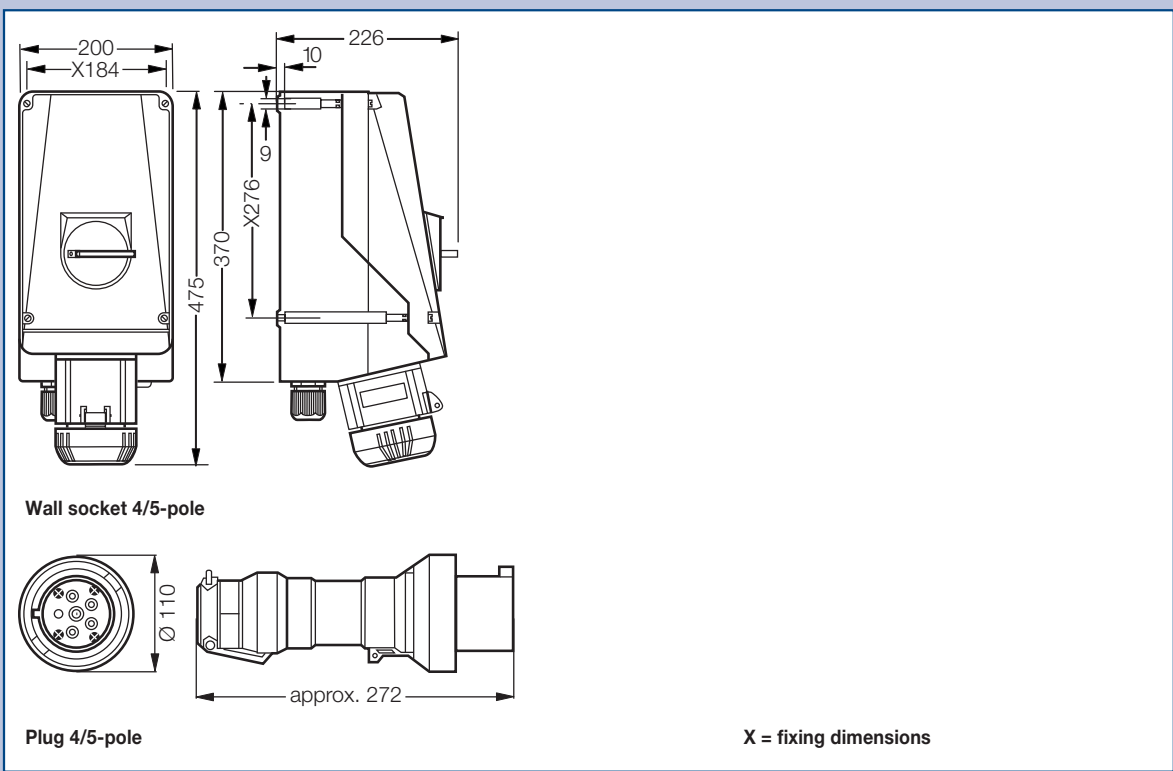
**| 63 A 4- and 5-pole up to 690 V |**



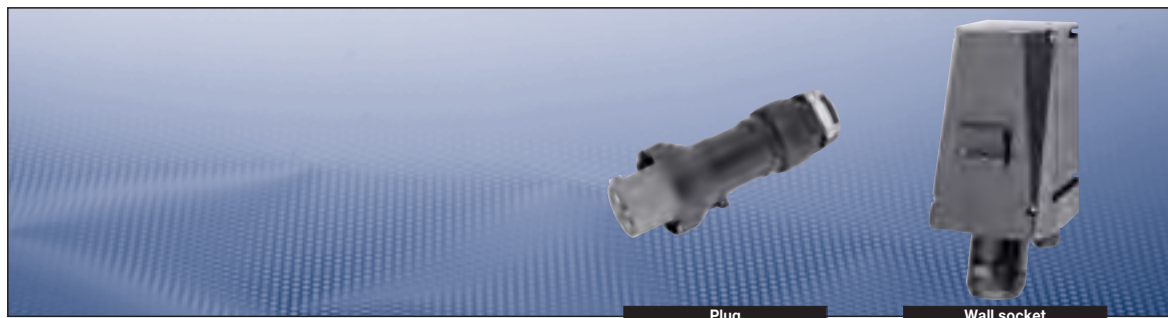
Wall socket

Plug

**Dimension drawing | Wiring diagram**



Dimensions in mm



## Technical data

### Ex-plugs and receptacles accd. to IEC 60309-1/2

Marking to 94/9/EC	$\text{Ex}$ II 2 G Ex de IIC T6 / $\text{Ex}$ II 2 D Ex tD A21 IP66 T80 °C
EC-Type Examination Certificate	PTB 01 ATEX 1069
IECEX certification of conformity	IECEX BKI 04.0005
IECEX type of protection	Ex ed IIC T6
Permissible ambient temperature	-20 °C to + 40 °C <sup>1)</sup>
Rated voltage	690 V (AC)
Rated current	125 A (AC)
Frequency	up to 400 Hz
Rated making/rated breaking capacity AC-3 accd. EN 60947-3	$U_e$ 690 V / $I_e$ 125 A
External back up fuse	without therm. protection: 125 A with therm. protection: 160 A gL (rated current 125 A set to)
Insulation class	I
Degree of protection accd. EN 60529	IP66
Enclosure colour	Black

### Wall socket

Cable glands/enclosure drilling	1 x M63 Ø 27 - 48 mm, 1 x M63 Ex-screw plug plastic or 2 x M50 metal thread with 2 Ex-screw plug plastic
Connecting terminals	2 x 4 - 50 mm <sup>2</sup> / with cable lug <sup>1)</sup> 1 x 120 mm <sup>2</sup>
Enclosure material	Glass-fibre reinforced polyester

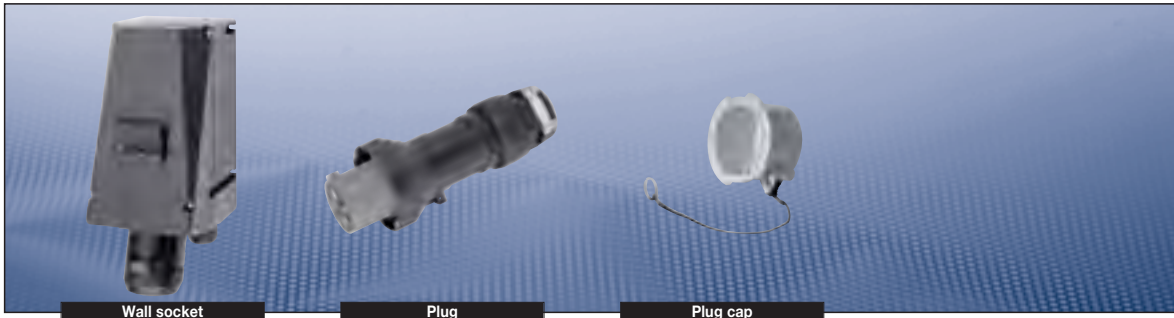
### Plug

Cabel glands	Ø 31 - 55 mm
Connecting terminals	1 x 4 - 35 mm <sup>2</sup> / with pin cable lug <sup>2)</sup> 1 x 50 mm <sup>2</sup>
Enclosure material	Polyamide

<sup>1)</sup> extended temperature range on request

<sup>2)</sup> use only delivered cable lug

**| 125A 4- and 5-pole up to 690 V |**



**Ordering details**

Voltage	h	Type	Auxiliary contact	Cable entries	Weight approx.	Order No.
<b>Type 125 A 4-pole</b>						
200-250 V		Wall socket	-	KU	12.3 kg	<b>GHG 515 4409 R0001</b>
		Wall socket	-	ME	12.5 kg	<b>GHG 515 4409 R3001</b>
		Wall socket	yes	KH	12.5 kg	<b>GHG 515 4409 R0501</b>
		Plug			0.9 kg	<b>GHG 515 7409 R0001</b>
380-415 V		Wall socket	-	KU	12.3 kg	<b>GHG 515 4406 R0001</b>
		Wall socket	-	ME	12.5 kg	<b>GHG 515 4406 R3001</b>
		Wall socket	yes	KH	12.5 kg	<b>GHG 515 4406 R0501</b>
		Plug			0.9 kg	<b>GHG 515 7406 R0001</b>
480-500 V		Wall socket	-	KU	12.3 kg	<b>GHG 515 4407 R0001</b>
		Wall socket	-	ME	12.5 kg	<b>GHG 515 4407 R3001</b>
		Wall socket	yes	KH	12.5 kg	<b>GHG 515 4407 R0501</b>
		Plug			0.9 kg	<b>GHG 515 7407 R0001</b>
600-690 V		Wall socket	-	KU	12.3 kg	<b>GHG 515 4405 R0001</b>
		Wall socket	-	ME	12.5 kg	<b>GHG 515 4405 R3001</b>
		Wall socket	yes	KH	12.5 kg	<b>GHG 515 4405 R0501</b>
		Plug			0.9 kg	<b>GHG 515 7405 R0001</b>

<b>Type 125 A 5-pole</b>						
200-250 V		Wall socket	-	KU	13.0 kg	<b>GHG 515 4506 R0001</b>
380-415 V		Wall socket	-	ME	13.2 kg	<b>GHG 515 4506 R3001</b>
		Wall socket	yes	KH	13.2 kg	<b>GHG 515 4506 R0501</b>
		Plug			1.2 kg	<b>GHG 515 7506 R0001</b>

**Accessories**

Type	OU	Order No.
Plug cap 4-pole/5-pole	1	<b>GHG 510 1901 R0007</b>
Cable lug 50 mm <sup>2</sup>	5	<b>GHG 260 1911 R0004</b>

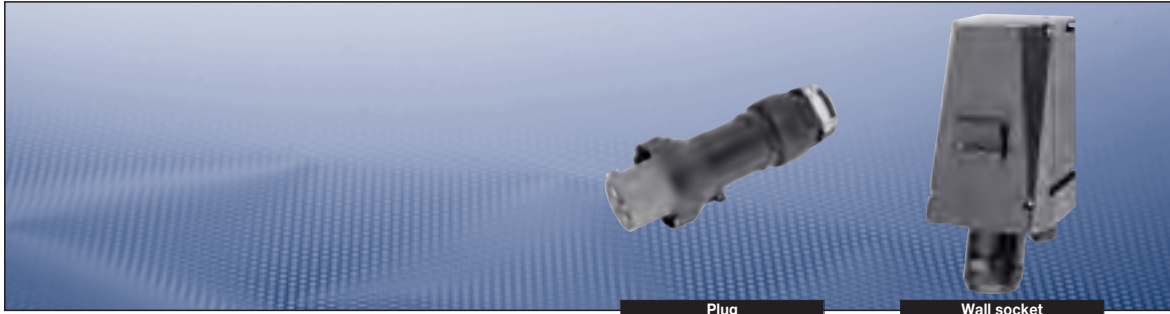
Other voltage ranges and versions available on request.

KU = 1 x plastic cable glands M40 for Ø 17-28 mm, 1 x M40 Ex-screw plug plastic

KH = 1 x plastic cable glands M40 for Ø 16-28 mm,

1 x plastic cable glands M25 for Ø 8 - 17 mm, with auxiliary contact

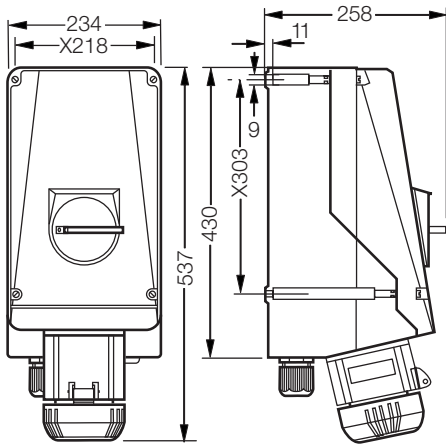
ME = 2 x metal thread M32 with Ex-screw plug plastic



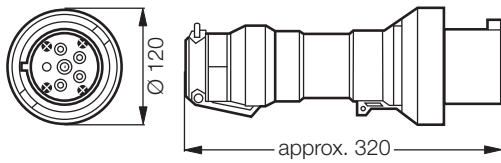
Plug

Wall socket

Dimension drawing | Wiring diagram

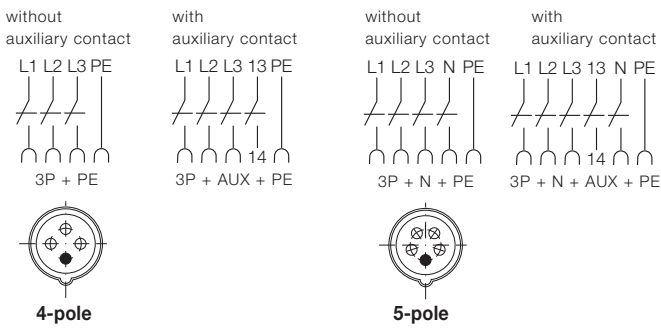


Wall socket 4/5-pole



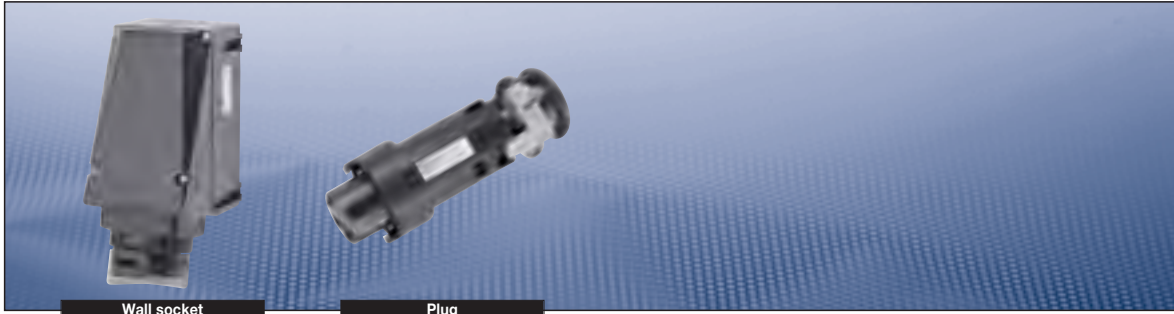
Plug 4/5-pole

X = fixing dimensions



Dimensions in mm

**10A 21-pole up to 250 V**



**Technical data**

**Ex-plugs and receptacles, 21-pole**

Marking to 94/9/EC	Ⓔ II 2 G Ex e II T6 / Ⓔ II 3 D Ex tD A22 IP54 T80 °C <sup>1)</sup>
EC-Type Examination Certificate	PTB 00 ATEX 1109
Permissible ambient temperature	-20 °C to + 40 °C
Rated voltage	250 V AC
Rated current	10 A
Frequency	up to 400 Hz
External back up fuse	without therm. protection: 10 A with therm. protection: 16 A gL (rated current 10 A set to)
Insulation class	I
Degree of protection accd. EN 60529	IP65
Enclosure colour	Black

**Wall socket**

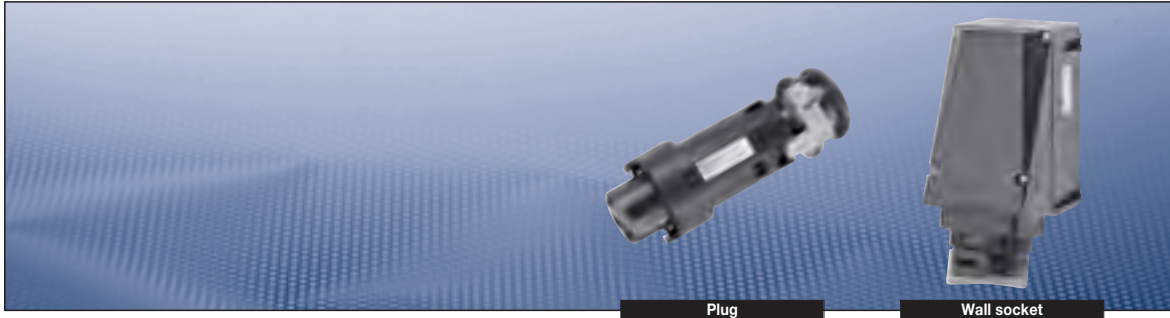
Cable glands/enclosure drilling	1 x M40 Ø 17 - 28 mm, 1 x M32 metal thread with Ex-screw plugs plastic
Connecting terminals	1 x 1.0 - 2.5 mm <sup>2</sup>
Enclosure material	Glass-fibre reinforced polyester

**Plug**

Cabel glands	Ø 19 - 28 mm
Connecting terminals	1 x 1.0 - 2.5 mm <sup>2</sup> crimp or solder connection <sup>2)</sup>
Enclosure material	Polyamide

<sup>1)</sup> See manufacturers declaration 091 for non conductive dusts

<sup>2)</sup> Please use appropriate crimp tool



Plug

Wall socket

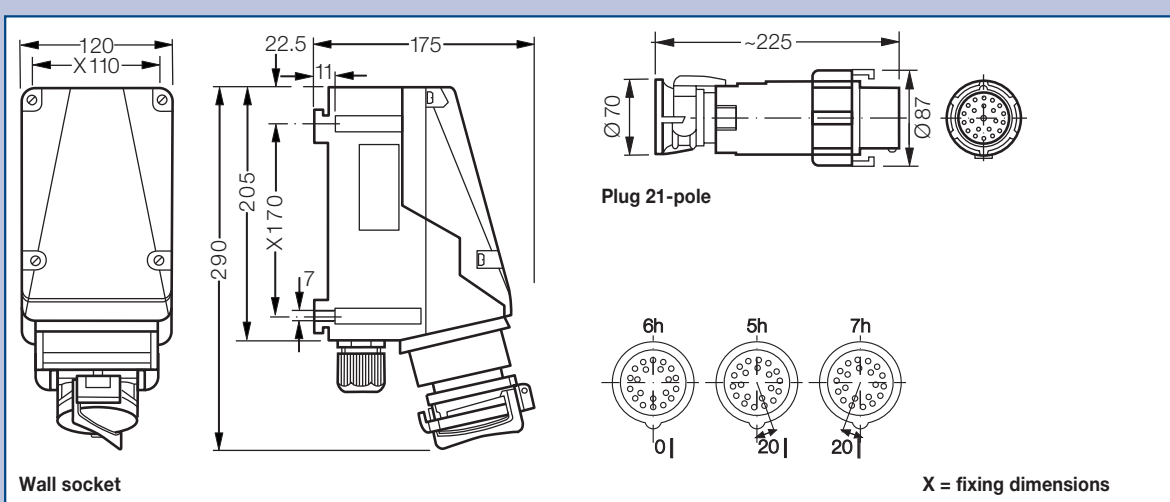
Ordering details

Type	h	Cable entry	Weight	Order No.
Type 10 A 21-pole				
Wall socket	5 h	KU	1.8 kg	GHG 511 4905 R0001
Wall socket	5 h	ME	1.9 kg	GHG 511 4905 R3001
Plug	5 h		0.7 kg	GHG 591 2201 R0001
Wall socket	6 h	KU	1.8 kg	GHG 511 4906 R0001
Wall socket	6 h	ME	1.9 kg	GHG 511 4906 R3001
Plug	6 h		0.7 kg	GHG 591 2201 R0002
Wall socket	7 h	KU	1.8 kg	GHG 511 4907 R0001
Wall socket	7 h	ME	1.9 kg	GHG 511 4907 R3001
Plug	7 h		0.7 kg	GHG 591 2201 R0003

Type	Application	Fixing method	Order No.
Accessories			
Plug cap 21-pole			GHG 530 1935 R0008
Mounting plate size 5	for wall mounting	snapp on	GHG 610 1953 R0128
Mounting plate size 5	for trellis mounting	snapp on	GHG 610 1953 R0128
Mounting plate size 5	for pipe mounting	snapp on	GHG 610 1953 R0132
Socket bushes 1 set = 7 pcs.			GHG 590 1301 R0102
Plug pins 1 set = 7 pcs.			GHG 590 1302 R0102
Ex-Crimping tool for sockets and pins			GHG 590 1902 R0001
Dismanteling tool for sockets and pins			GHG 590 1903 R0001

KU = 1 x plastic cable glands M40 for Ø 17-28 mm  
 ME = 1 x metal thread M32 with Ex-screw plug plastic

Dimension drawing | Coding



Wall socket

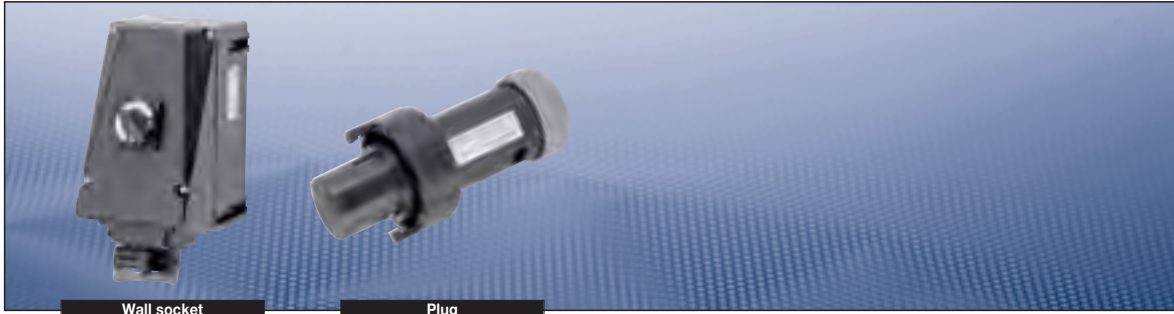
Plug 21-pole

X = fixing dimensions

Dimensions in mm



**20A 7-pole up to 500 V**



**Technical data**

**Ex-plugs and receptacles, 7-pole**

Marking to 94/9/EC	⊕ II 2 G Ex ed IIC T6/T5 / ⊕ II 3 D Ex tD A22 IP54 T80 °C <sup>1)</sup>
EC-Type Examination Certificate	PTB 00 ATEX 1109
Permissible ambient temperature	-20 °C to + 40 °C
Rated voltage	500 V
Rated current	16 A (T6) / 20 A (T5)
Frequency	up to 400 Hz
Rated making/rated breaking capacity AC-3 accd. EN 60947-3	U <sub>e</sub> 500 V / I <sub>e</sub> 10 A U <sub>e</sub> 250 V / I <sub>e</sub> 16 A
External back up fuse	without therm. protection: 16 A with therm. protection: 25 A gL (rated current 16/20 A set to)
Insulation class	I
Degree of protection accd. EN 60529	IP66
Enclosure colour	Black

**Wall socket**

Cable glands/enclosure drilling	2 x M40 Ø 17 - 28 mm, 1 Ex screw plugs plastic or 2 x M32 metal thread with 2 Ex screw plugs plastic
Connecting terminals	2 x 1.5 - 4 mm <sup>2</sup>
Enclosure material	Glass-fibre reinforced polyester

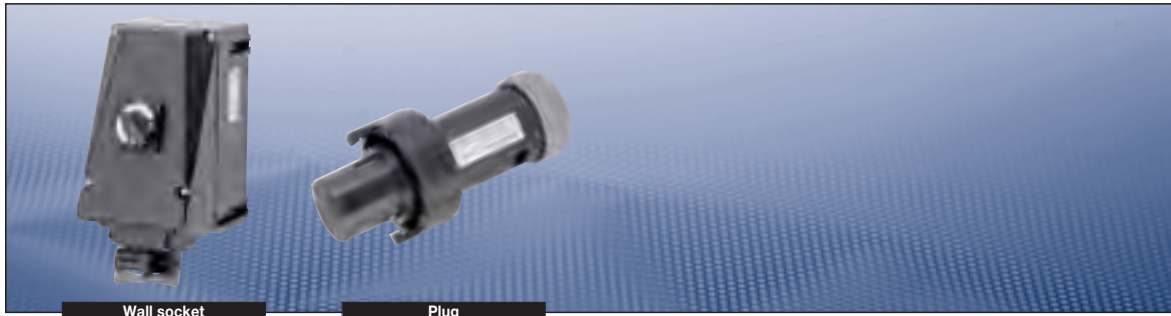
**Plug**

Cabel glands	Ø 9 - 17 mm
Connecting terminals	1 x 1.0 - 2.5 mm <sup>2</sup> crimped or soldered connection <sup>2)</sup>
Enclosure material	Polyamide

<sup>1)</sup> See manufacturers declaration 091 for non conductive dusts

<sup>2)</sup> Please use appropriate crimp tool

**| 20A 7-pole up to 500 V |**



Wall socket

Plug

**Ordering details**

Type	h	Cable entry	Weight	Order No.
<b>Type 20 A 7-pole</b>				
Wall socket 7-pole	6 h	KU	2.2 kg	<b>GHG 511 4706 R0001</b>
Wall socket 7-pole	6 h	ME	2.3 kg	<b>GHG 511 4706 R3001</b>
Plug 7-pole	6 h		0.3 kg	<b>GHG 592 2001 R0002</b>
Wall socket 6-pole + PE	7 h	KU	2.2 kg	<b>GHG 511 4707 R0003</b>
Wall socket 6-pole + PE	7 h	ME	2.3 kg	<b>GHG 511 4707 R3003</b>
Plug 6-pole + PE	7 h		0.3 kg	<b>GHG 592 2001 R0022</b>

Type	Application	Fixing method	Order No.
<b>Accessories</b>			
Plug cap 7-pole			<b>GHG 540 1935 R0002</b>
Mounting plate size 5	for wall mounting	snapp on	<b>GHG 610 1953 R0128</b>
Mounting plate size 5	for trellis mounting	snapp on	<b>GHG 610 1953 R0128</b>
Mounting plate size 5	for pipe mounting	snapp on	<b>GHG 610 1953 R0132</b>
Socket bushes 1 set = 7 pcs.			<b>GHG 590 1301 R0102</b>
Plug ins 1 set = 7 pcs.			<b>GHG 590 1302 R0102</b>
Crimping tool for sockets and pins			<b>GHG 590 1902 R0001</b>
Dismanteling tool for sockets and pins			<b>GHG 590 1903 R0001</b>

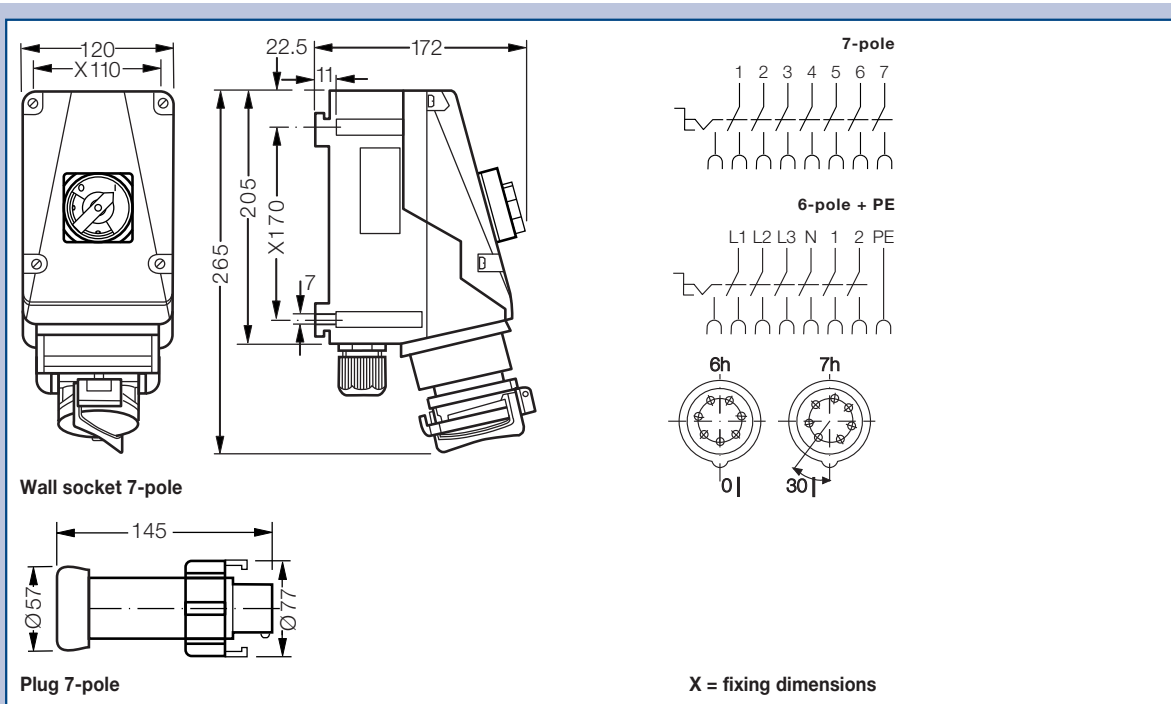
Other voltage ranges and versions available on request.

KU = 1 x plastic cable glands M40 Ø 17-28 mm, 1 x M40 with Ex-screw plug plastic

ME = 2 x metal thread M32 with Ex-screw plug plastic

Fixing material and accessories see page 6.94 pp.

**Dimension drawing | Wiring diagram**



Dimensions in mm

1  
2  
3  
4  
5  
6  
7  
8  
9  
10  
11  
12