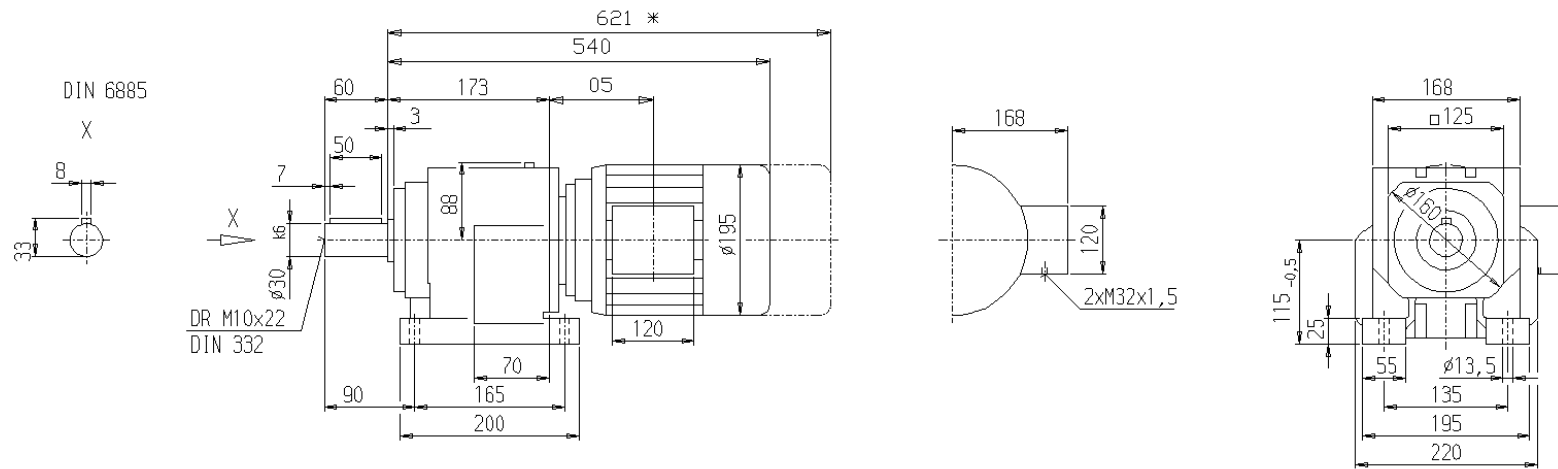


For your information only

SIEMENS



Z48-LA100L4

For drawing of selected mounting position, refer to 2D/3D-file

Drawing not true to scale, all dimensions in mm; ATTENTION: Not all options are shown.

* Longer dimension for motors with optional brake, forced ventilation, backstop, encoder, canopy or 2nd shaft end!

Motox 7.4.051